

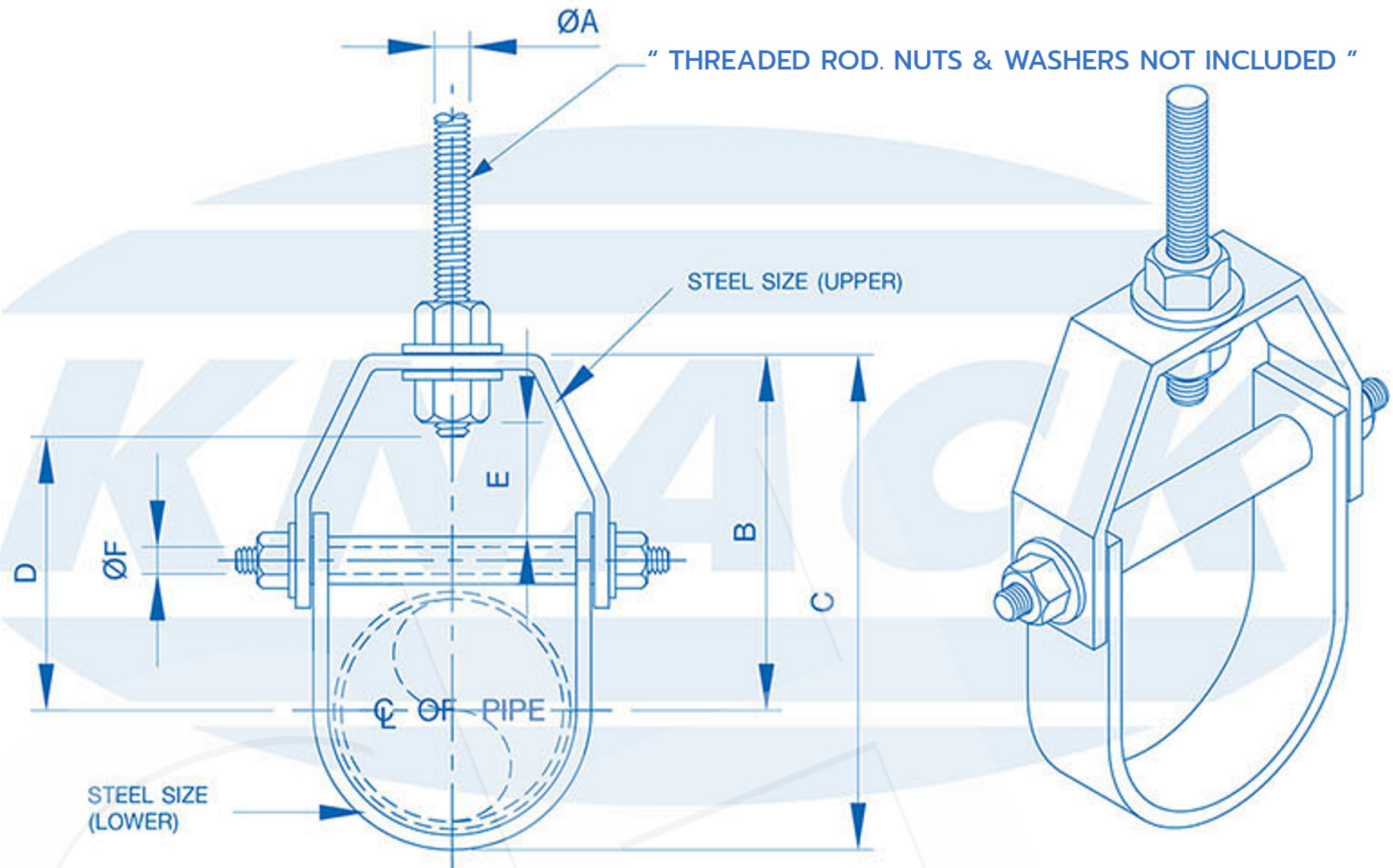


PIPE HANGERS & SUPPORTS

FIGURE H 531 STANDARD ADJUSTABLE CLEVIS HANGER



- **MATERIAL** : CARBON STEEL
- **FINISH** : ELECTRO - GALVANIZED. HOT DIP - GALVANIZED
- **CONFORMS WITH** : SPECIFICATION WW-H-171E (TYPE 1) MSS SP-69



| NOMINAL | PIPE SIZE | STEEL SIZE | | ROD SIZE | | B | C | D | Adjustment E | F |
|---------|-----------|------------|--------|----------|------|-----|-----|-----|--------------|----|
| | | UPPER | LOWER | A | A | | | | | |
| INCH | MM. | | | INCH | MM. | | | | | |
| 2 | 50 | 3 x 25 | 3 x 25 | 3/8 | 9.5 | 105 | 140 | 75 | 42 | 6 |
| 2 1/2 | 65 | 5 x 32 | 5 x 32 | 1/2 | 12.7 | 124 | 160 | 97 | 44 | 9 |
| 3 | 80 | 5 x 32 | 5 x 32 | 1/2 | 12.7 | 128 | 175 | 98 | 44 | 9 |
| 4 | 100 | 6 x 32 | 5 x 32 | 5/8 | 15.9 | 147 | 210 | 114 | 50 | 9 |
| 5 | 125 | 6 x 32 | 5 x 32 | 5/8 | 15.9 | 165 | 240 | 130 | 44 | 12 |
| 6 | 150 | 6 x 38 | 5 x 38 | 3/4 | 19 | 185 | 275 | 142 | 47 | 12 |
| 8 | 200 | 6 x 50 | 5 x 50 | 7/8 | 22.2 | 247 | 355 | 178 | 54 | 15 |
| 10 | 250 | 9 x 50 | 6 x 50 | 7/8 | 22.2 | 290 | 430 | 212 | 57 | 19 |
| 12 | 300 | 9 x 50 | 6 x 50 | 7/8 | 22.2 | 325 | 495 | 258 | 76 | 19 |
| 14 | 350 | 12 x 50 | 6 x 50 | 1 | 25.4 | 390 | 575 | 275 | 75 | 22 |
| 16 | 400 | 12 x 63 | 6 x 63 | 1 | 25.4 | 425 | 650 | 316 | 76 | 25 |
| 18 | 450 | 12 x 63 | 6 x 63 | 1 1/8 | 28.6 | 454 | 690 | 354 | 95 | 29 |
| 20 | 500 | 15 x 75 | 9 x 75 | 1 1/4 | 31.7 | 465 | 720 | 367 | 101 | 32 |
| 24 | 600 | 15 x 75 | 9 x 75 | 1 1/4 | 31.7 | 498 | 803 | 444 | 108 | 32 |
| 26 | 650 | 15 x 75 | 9 x 75 | 1 1/4 | 31.7 | 549 | 890 | 495 | 116 | 32 |
| 30 | 750 | 15 x 75 | 9 x 75 | 1 1/4 | 31.7 | 613 | 994 | 556 | 127 | 32 |